

## PRODUCT SPECIFICATIONS

**Model:** Colt Series - Colt Twin (SC712)

**Manufacturer:** Pride Mobility Products Ltd.

**Internet Address:** www.pridemobility.com

**Document Information:** INFINF2694/Rev C/August 2012

COLT TWIN	
Model Number	SC712
Class of Use	B
Weight Capacity	158.75 kg; 25 stone (350 lbs.)
Speed (Maximum) <sup>1</sup>	6.4 km/h (4 mph)
Ground Clearance <sup>3</sup>	5.7 cm (2.25 in.) at motor
Turning Radius <sup>3</sup>	106.7 cm (42 in.)
Overall Length <sup>3</sup>	116 cm (46 in.)
Overall Width <sup>3</sup>	56 cm (22 in.)
Tyres	Front: 23 cm (9 in.) solid Rear: 25 cm (10 in.) solid
Range Per Charge <sup>1, 2</sup>	Up to 25 km (15.5 miles)
Total Weight Without Batteries <sup>6</sup>	62.5 kg (138 lbs.)
Heaviest Piece When Disassembled	Front Section: 27.2 kg (60 lbs.)
Standard Seating	Type: CRS Junior Weight: 19 kg (42 lbs.) Material: Black Vinyl Dimensions: 44.45 cm (17.5 in.) overall width 43.18 cm (17 in.) effective depth
Drive System	Rear-wheel drive, sealed transaxle, 24-volt DC motor
Dual Braking System	Regenerative and electromechanical
Battery Requirements <sup>4, 5</sup>	Type: Two 12-volt, deep-cycle Size: 31-36 Ah or optional 40 Ah Battery Weight: 9.8 kg (21.5 lbs.) each 40 Ah Battery Weight: 14.74 kg (32.5 lbs.) each
Battery Charger	Off-board
Maximum Allowable Incline <sup>7</sup>	10.5% (6°)
Maximum Angle Capacity	17.6% (10°)
Maximum Obstacle Climbing Ability	5 cm (2 in.)

<sup>1</sup> Varies with user weight, terrain type, battery amp-hour (Ah), battery charge, battery condition, and tyre condition. This specification can be subject to a variance of +10%, -5%.

<sup>2</sup> Tested in accordance with ANSI/RESNA, WC Vol 2, Section 4 & ISO 7176-4 standards. Results derived from theoretical calculation based on battery specifications and drive system performance. Test conducted at maximum weight capacity and with MK 45 Ah batteries.

<sup>3</sup> Due to manufacturing tolerances and continual product improvement, this specification can be subject to a variance of (+ or -) 3 %.

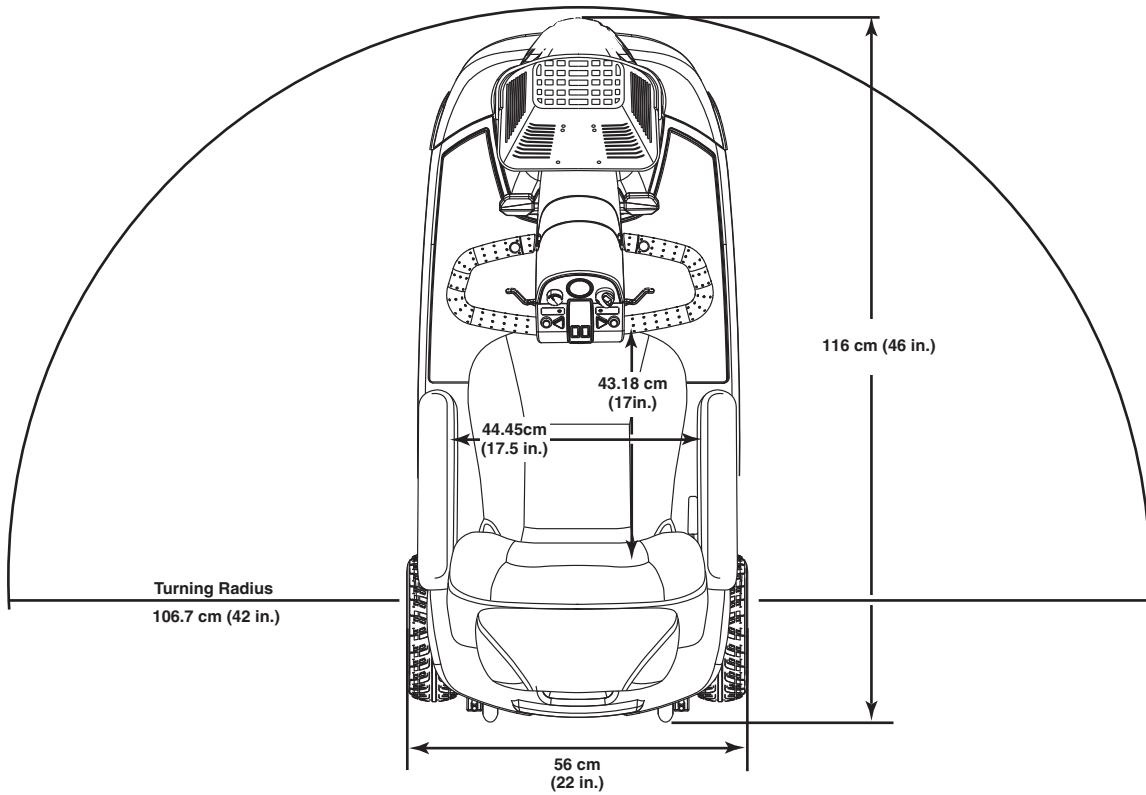
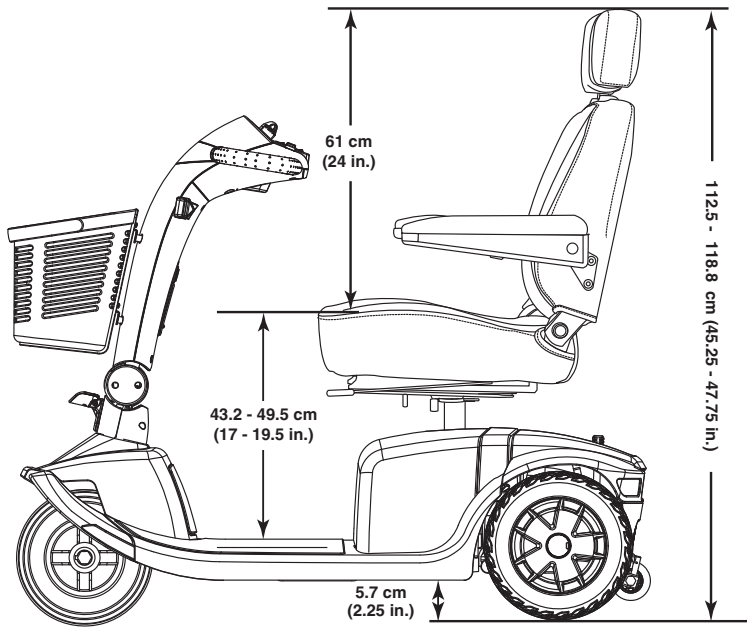
<sup>4</sup> AGM or Gel-Cell type required. See IV. "Batteries and Charging."

<sup>5</sup> Battery weight may vary based on battery manufacturer.

<sup>6</sup> Includes standard seat.

<sup>7</sup> Tested in accordance with ISO7176-22, 2000 and ISO 7176-11, 1992 standards.

**NOTE: This product conforms to all applicable ANSI-RESNA testing requirements and ISO 7176 series EN12184 standards. All specifications subject to change without notice.**



Colt Twin (SC712) Dimensions

\* I N F I N F B 2 6 9 4 \*