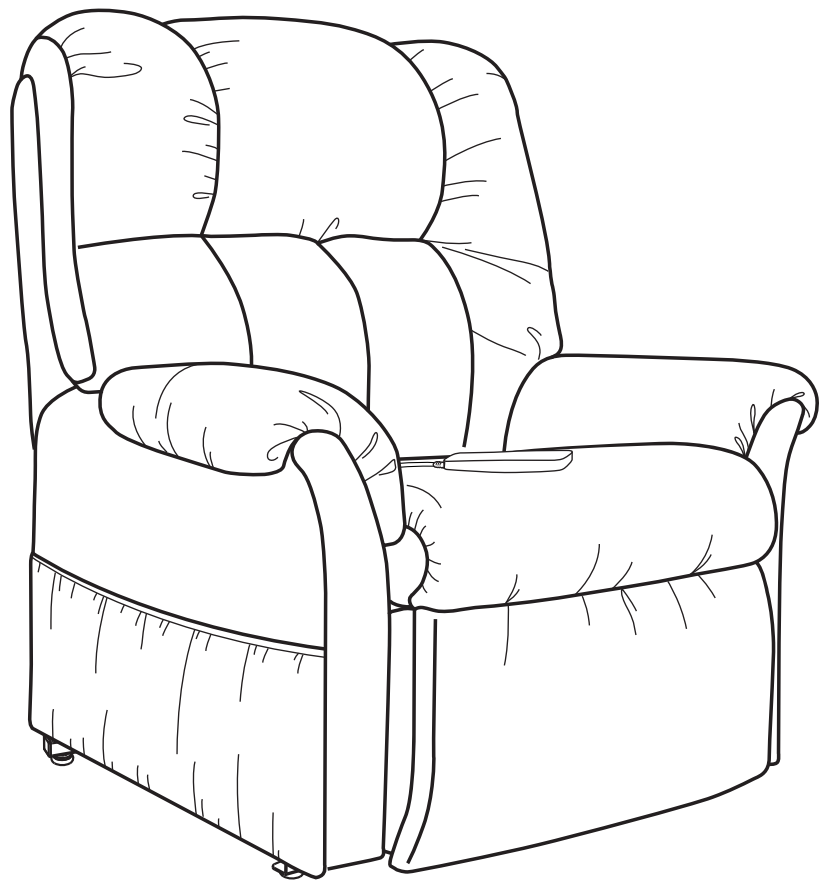


Viva LIFT!™

POWER RECLINERS

By Pride® Mobility Products Corp.

Elevate Your Lifestyle!



NOTE: This quick reference guide offers basic hand control functions, general care instructions, basic assembly information, warranty information and weight capacity information for your chair. Before operating the chair, thoroughly read the owner's manual and all other supplemental documents for information on safety, basic operation and care and maintenance.

NOTE: These products are non-medical devices and are not meant to assist, treat, diagnose or alleviate any medical condition or disability.

The illustrations reflect those hand controls with the highest level of functionality. The hand control you receive may have fewer options, but basic functionality is the same.

The premier feature of the VivaLIFT!™ Power Recliner is that you have the ability to adjust your feet and back independently to achieve your perfect position. For example, the seat back can recline until it is horizontal to the floor. To achieve this, press and hold seatback recline button ("8") (as shown in **figure 1**) until it is fully reclined.

HAND CONTROL IDENTIFICATION KEY

1. USB PORT

Use to connect to/charge USB enabled devices.

2. HEADREST IN BUTTON

Press and hold to move headrest in.

3. HEADREST OUT BUTTON

Press and hold to move headrest out.

4. LUMBAR SUPPORT IN BUTTON

Press and hold to move lumbar support in.

5. LUMBAR SUPPORT OUT BUTTON

Press and hold to move lumbar support out.

6. UP BUTTON

Press and hold to return all chair power options to the neutral position, while lifting you into an upright position.

7. DOWN BUTTON

Press and hold to lower chair to seated or reclined position.

8. SEATBACK RECLINE BUTTON

Press and hold to recline the seatback.

9. SEATBACK INCLINE BUTTON

Press and hold to raise the seatback.

10. LEG REST UP BUTTON

Press and hold to raise the legrest.

11. LEG REST DOWN BUTTON

Press and hold to lower the legrest.

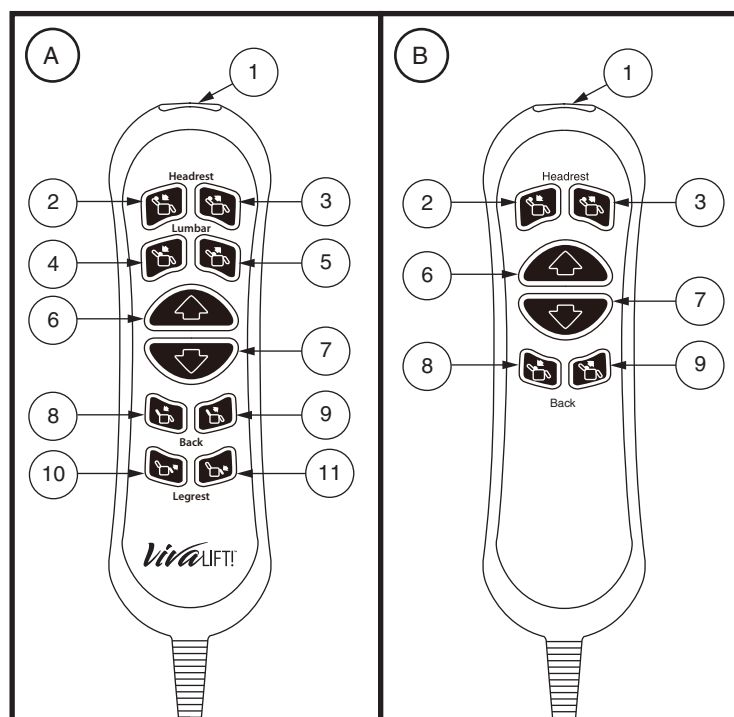


Figure 1. Hand Control - Styles A and B

FABRIC CARE INSTRUCTIONS

The fabric covering this piece of furniture is very durable for everyday living. Clean only with water-based shampoo or foam upholstery cleaner. Do not over wet. Do not use solvents to spot clean. Light scrubbing will help with any tougher spots that may have developed. Always check a small spot of fabric in an area that is unseen to be sure the cleaning agent being used will not discolor or fade the fabric's finishing. Let the chair air dry and vacuum for the best result.

CHAIR ASSEMBLY

Once the chair has been removed from the box, you'll notice the back is lying on the top of the seat. Follow the steps below:

1. Some models have back wings that attach to the back. When unpacking your chair, you will find these back wings packed in the back of the chair base. Unpack the back wings and set them aside for later installation.
2. Locate the plastic bag that contains the power transformer, power cord and the hand control. This can be done by turning the base over on its arms. You will see the plastic bag tied to the inside of the unit. Carefully cut the ties that hold the bag and remove it. Dispose of the ties and bag properly.
3. Remove the hand control from the plastic bag and connect it to the female plug located in the rear of the chair (**see figure 2**).

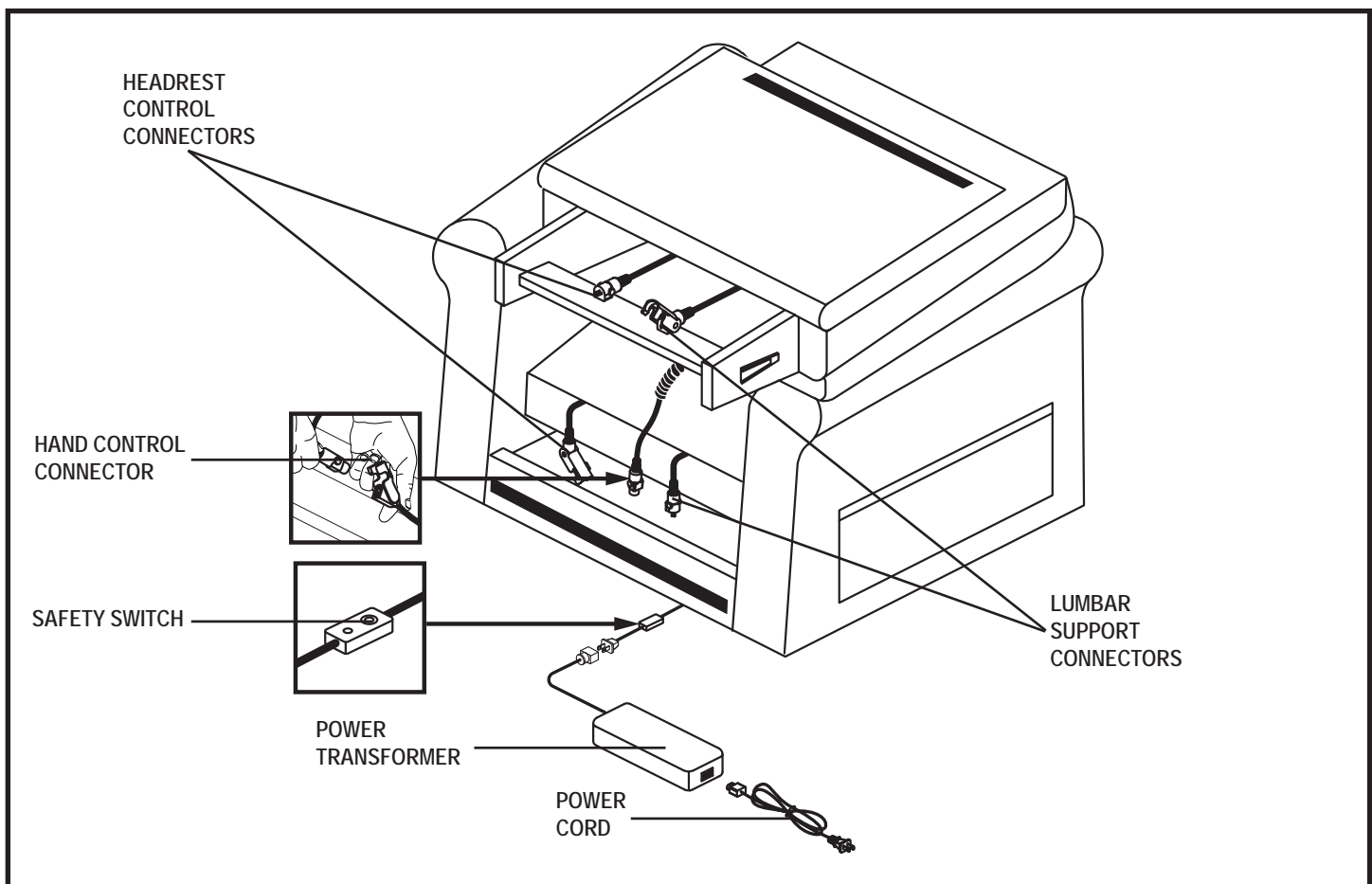


Figure 2. Chair Assembly - Power Transformer, Cords, and Connections

4. To install the back, align the Knock-Down (KD) sleeves in the back with the KD brackets in the chair base, slide the back down on the base. **See figure 3.** Push down on the top of the back to lock the back into position. You will hear a click from each side of the chair to ensure the back is locked in properly.
5. Plug in the Lumbar and Headrest connectors, **See figure 2.** If your model is Headrest Only, you need only to plug in the Headrest.
6. If your model has back wings, align the KD sleeves, and slide the wing down into place, see **figure 4.** Please note there is a label on the brackets. Please assemble them as indicated (1-1 and 2-2).
7. Connect the Power Transformer cable to the corresponding plug coming from the back of the chair, (**see figure 2**).
8. Connect the Power Cord into the Power Transformer (**see figure 2**).
9. Connect the power cord into an electrical outlet near where the chair will be used.

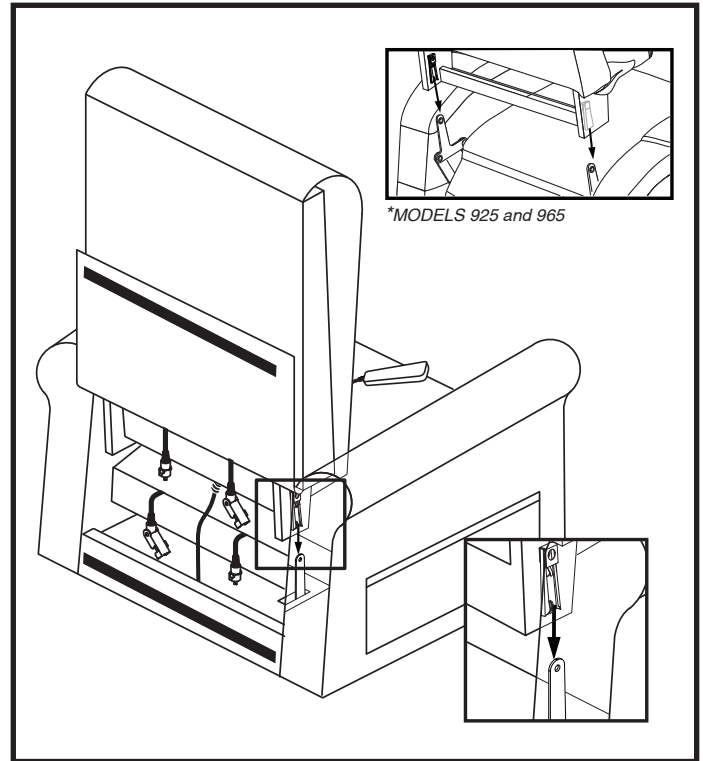


Figure 3. Chair Back Installation

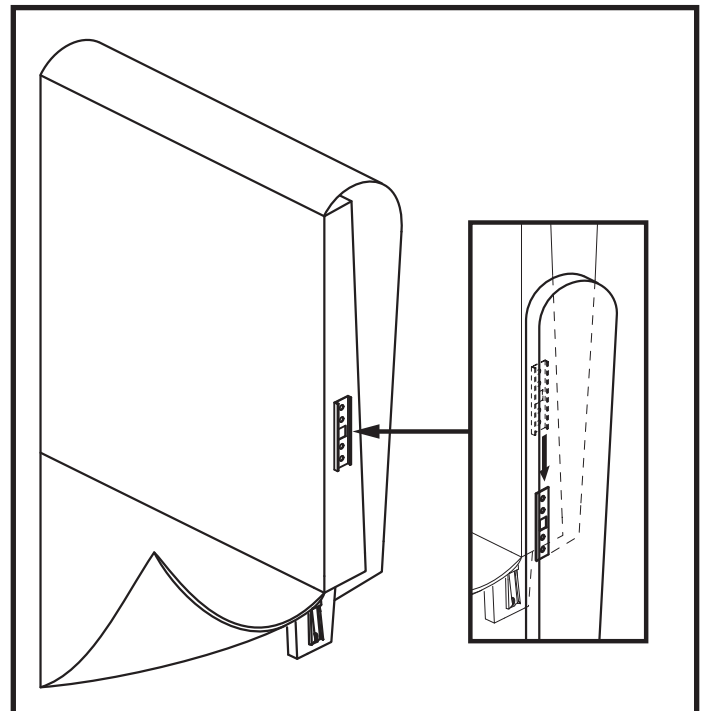


Figure 4. Wing Back Installation

POWER HEADREST MOTOR CONNECTIONS

For initial use, troubleshooting, or chair reassembly, you may have to connect or reconnect the power headrest motor wires.

1. Lay the seatback, face down, on the chair base and route all cables through the wire access point as shown.

Note: If you do not have a “Y” cable, proceed to step 3.

2. For chairs equipped with a “Y” cable, plug the seat base motor cable into the motor box connector, and plug the hand control cable and the seat back motor cable into the “Y” cable connectors.
3. For chairs equipped with a control box, plug the cable marked “A” into the control box’s “A” port, and the cable marked “B” into the control box’s “B” port. Plug the controller cable into the center wire connector.

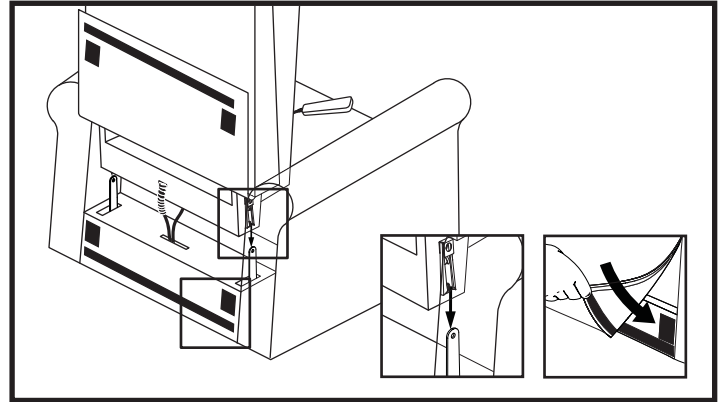


Figure 5. Power Headrest Cable Routing

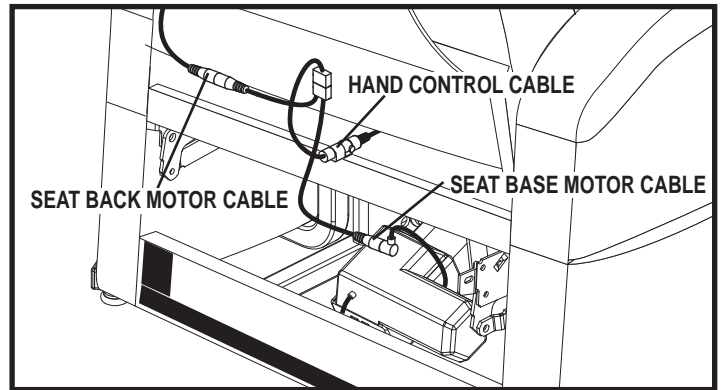


Figure 6. Power Headrest Cable Connections

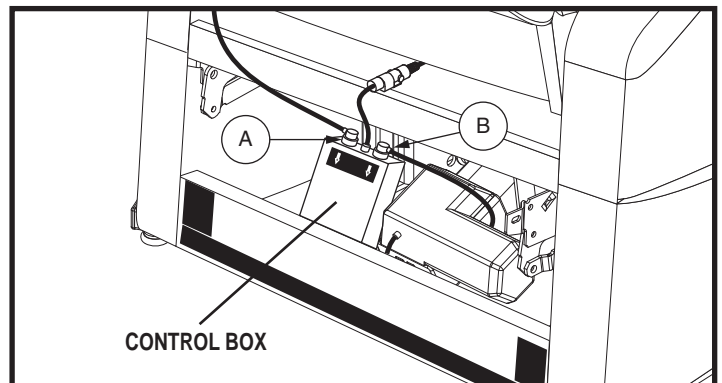


Figure 7. Power Headrest Control Box Connections

Rev A/March 2018



I N F I N I T Y B 3 9 3 5